

Electrical Specifications

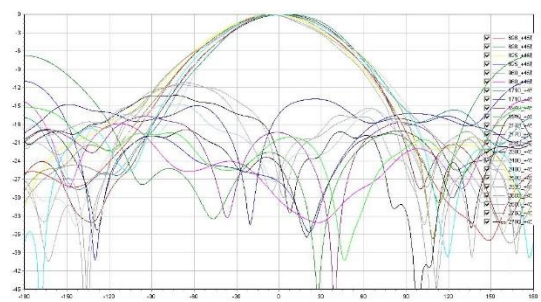
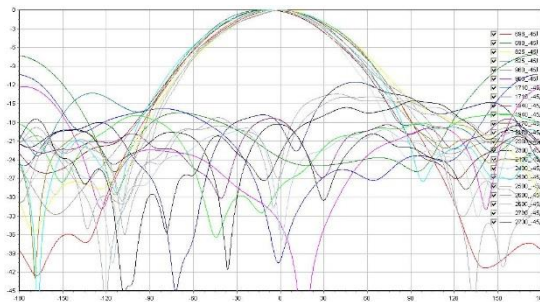
Frequency Range	MHz	1710-1880	1920-2170	2400-2500	2490-2700
Gain	dBi	8.5	9.0	8.0	7.5
Polarization		+/-45			
Beam-width	Horizontal	65			
	Vertical	50			
VSWR		≤ 1.6:1			
Isolation	dB	25 (typ.)			
Front to Back Ratio	dB	25 (typ.)			
PIM3	dBc	≤ -150@2x43dBm			
Power Handling	W	50			
Impedance	Ω	50			

Mechanical Specifications

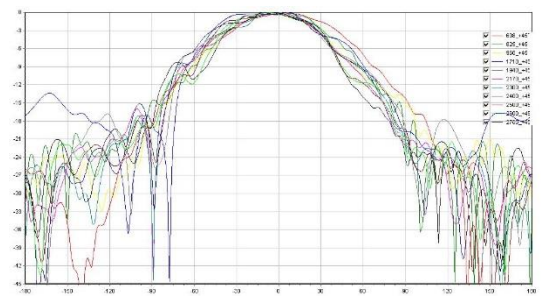
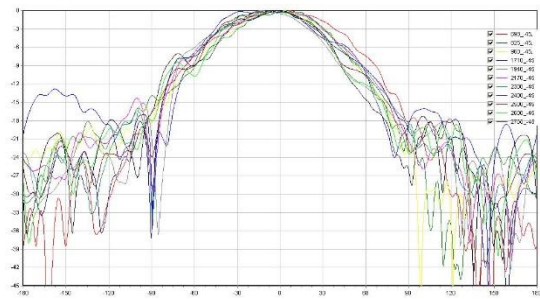
Dimensions, HxWxD	mm (in)	195x240x79 (7.7x9.4x3.1)	
Weight without Bracket	kg (lb)	0.7 (1.5)	
Radome Material and Color		ABS, white	
Reflector Material		Aluminum	
Radiating Element Material		PCB	
Connector Type		ODG065X09-A0	ODG065X09-A1
		2 x N-Female	2 x 7/16 DIN-Female
Mounting		Pole mount with bracket	
Operational Temperature	°C	-55 to +70	
Operational Humidity	%	≤ 95	
Shipping Dimensions, HxWxD	mm (in)	265x220x125 (10.4x8.7x4.9)	
Shipping Weight	kg (lb)	1.0(2.2)	

Radiation Patterns

**Co/X-pole
Horizontal
pattern**



**Vertical
pattern**



+ 45deg Port

-45deg Port

Features and Product Description

- Broadband, coverage for 1710-2170/2400-2700MHz 2x2 MIMO application.
- Typically used in micro-cell or in-building distribution of 2G/3G/LTE and WLAN(Wi-Fi) services.
- Aesthetically pleasing and easy for in-building or outdoor installations.

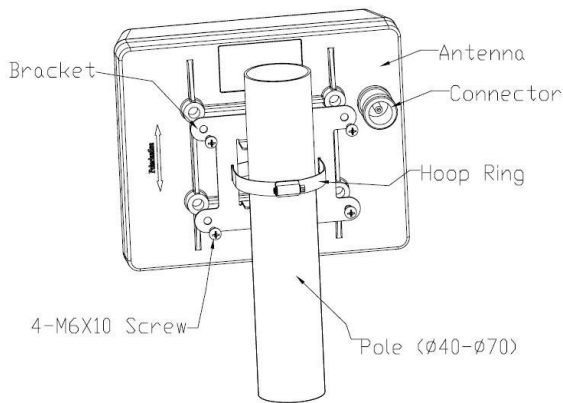


Note for Installation and Preparation

Thanks for choosing our product! Before exciting installation, please read this guide carefully.

- Make sure qualified personnel are hired for installing this product such as working at height with safety awareness, tools operating skills, and etc.
- Please check the items against the below packing list and make sure the product is in good condition without any damage and none is missing.
- Check the necessary installation tools below are prepared on site before the installation.
- Find proper position and the mounting pole (**diameter 40-70mm**) to mount this antenna based on the coverage design and planning documents.

Pole Mounting Instruction



STEPS

- Put **hold hoop** around the pole and thought 2 square holes on the back of bracket/antenna as shown.
- Drive the screws on the hold hoops till the bracket almost fixed on the pole.
- Adjust the antenna azimuth and fix the screw firmly.
- Joint the connectors with system and implement water-proof measure for connections.

Packing List

Antenna with Bracket fixed	1
Hold Hoop	1

List of Installation Tools

Slot-type or Philips Screwdrivers

QC Check