


| | | |
|---|--|--------------------|
|  | Model Number: | OOG360X10-X |
| | Wide-band Outdoor Omni Antenna, X-pol, 1710-2690MHz, 10.0dBi | |

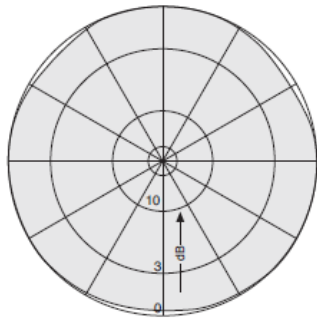
Electrical Specifications

| | | | | |
|--------------------------------|------------|------------------|-----------|-----------|
| Frequency Range | MHz | 1710-1880 | 1920-2170 | 2490-2690 |
| Gain | dBi | 10.0 | 10.0 | 10.0 |
| Polarization | | +/-45 | | |
| Beam-width | Horizontal | deg | 360 | |
| | Vertical | | 7.5 | 7.5 |
| Pre-configured Electrical Tilt | deg | 0 | | |
| VSWR | | ≤ 1.5:1 | | |
| Isolation | dB | 30/25 (typ./min) | | |
| PIM | dBc | ≤ -150@2x43dBm | | |
| Power Handling | W | 200 | | |
| Impedance | Ω | 50 | | |

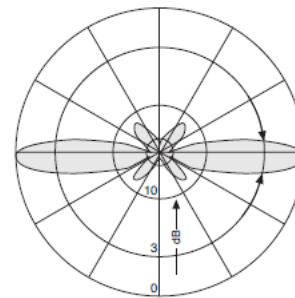
Mechanical Specifications

| | | |
|----------------------------|---------|-----------------------------|
| Dimensions, HxDia | mm (in) | 1250xΦ116 (49.2xΦ4.6) |
| Weight | kg (lb) | 7.5 (16.5) |
| Radome Material and Color | | PVC, grey |
| Reflector Material | | Aluminum |
| Radiating Element Material | | Die-casting Aluminum Alloy |
| Connector Type | | 2 x DIN-Female |
| Environmental Class | | Outdoor |
| Mounting | | Pole mount (30-55mm) |
| Shipping Dimensions, HxWxD | mm (in) | 1510x175x187 (59.4x6.9x7.4) |
| Shipping Weight | kg (lb) | 10.0 (22.0) |

Radiation Patterns



Horizontal pattern@1920MHz



Vertical pattern@0 deg EDT @1920MHz

Features and Product Description

- Broadband, coverage 1710MHz-2690MHz .
- Typically used in outdoor omni micro-cell distribution of 2G/3G/LTE services.
- High gain of 10.0dBi.
- Aesthetically pleasing and easy for outdoor installations.

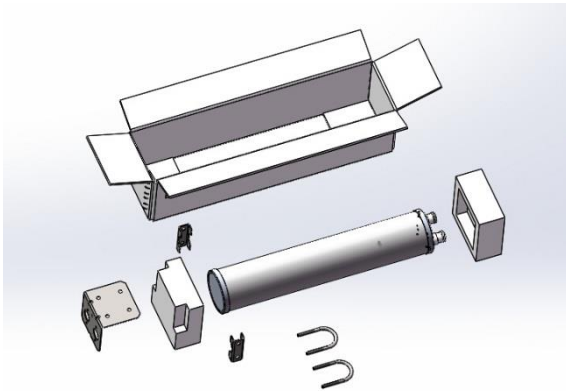


Note for Installation

Thanks for choosing our product! Before the exciting installation, please read this guide carefully.

- Make sure qualified personnel are hired for installing this product such as working at height with safety awareness, tools operating skills, and etc.
- Please check the items against the below packing list and make sure the product is in good condition without any damage and none of parts is missing.
- Check the necessary installation tools below are prepared on site before the installation.
- Find proper position and the supporting pole (diameter 30-55cm) to mount this antenna based on the coverage design and planning documents.

Before Installation



After Installation



STEPS

- Check the supporting pole and fix the L bracket securely at proper position on the pole by tightening 2 sets of U bolts through the 2 clamps against on the side plain surface of L bracket. Make sure the upper part of the pole will not block the antenna radiation.
- Fix the antenna body on the L bracket by tightening the 4 M5*14 screws securely.
- Joint the connectors with systems and do necessary water proof measure to prevent water leakage.

Packing List

| | | | |
|--------------|---|---------------|---|
| Antenna body | 1 | M5*14 screw | 4 |
| L bracket | 1 | Plain washer | 4 |
| U bolt | 2 | Spring washer | 4 |
| Clamp | 2 | M8 nut | 4 |

List of Installation Tools

Phillips Screwdriver for M5 screw

Spanner for M8 nut

QC Check