

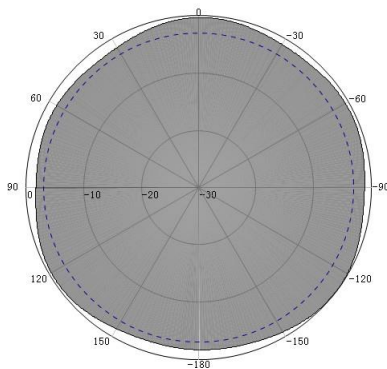
Electrical Specifications

Frequency Range	MHz	1710-1880	1920-2170	2490-2690
Gain	dBi	5.0	5.0	5.0
Polarization		+/-45		
Beam-width	Horizontal	360		
	Vertical	42	40	32
Pre-configured Electrical Tilt	deg	4		
VSWR		≤ 1.5:1		
Isolation	dB	28		
PIM	dBc	≤ -150@2x43dBm		
Power Handling	W	100		
Impedance	Ω	50		

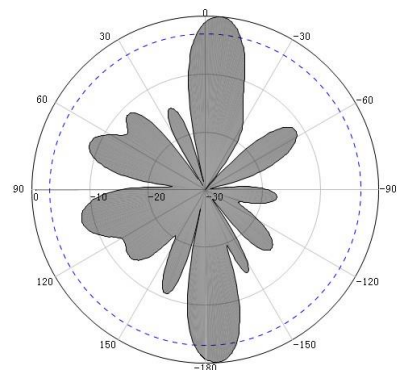
Mechanical Specifications

Dimensions, HxDia	mm (in)	654xΦ116 (25.7xΦ4.6)
Weight	kg (lb)	2.3 (5.1)
Radome Material and Color		PVC, white
Reflector Material		Aluminum
Radiating Element Material		Die-casting Aluminum Alloy
Connector Type		2 x DIN-Female
Environmental Class		Outdoor
Mounting		Pole mount (30-55mm)
Shipping Dimensions, HxWxD	mm (in)	800x200x200 (31.5x7.9x7.9)
Shipping Weight	kg (lb)	4.5 (9.9)

Radiation Patterns



Horizontal pattern@1920MHz



Vertical pattern@1920MHz

Features and Product Description

- Broadband, coverage 1710MHz-2690MHz .
- Typically used in outdoor omni micro-cell distribution of 2G/3G/LTE services.
- High gain of 6.0dBi
- Aesthetically pleasing and easy for outdoor installations.

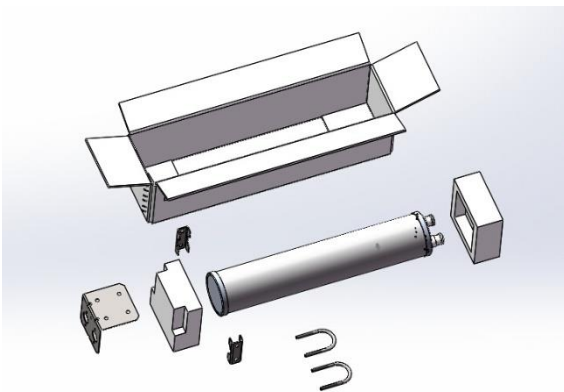


Note for Installation

Thanks for choosing our product! Before the exciting installation, please read this guide carefully.

- Make sure qualified personnel are hired for installing this product such as working at height with safety awareness, tools operating skills, and etc.
- Please check the items against the below packing list and make sure the product is in good condition without any damage and none of parts is missing.
- Check the necessary installation tools below are prepared on site before the installation.
- Find proper position and the supporting pole (diameter 30-55cm) to mount this antenna based on the coverage design and planning documents.

Before Installation



After Installation



STEPS

- Check the supporting pole and fix the L bracket securely at proper position on the pole by tightening 2 sets of U bolts through the 2 clamps against on the side plain surface of L bracket. Make sure the upper part of the pole will not block the antenna radiation.
- Fix the antenna body on the L bracket by tightening the 4 M5*14 screws securely.
- Joint the connectors with systems and do necessary water proof measure to prevent water leakage.

Packing List

Antenna body	1	M5*14 screw	4
L bracket	1	Plain washer	4
U bolt	2	Spring washer	4
Clamp	2	M8 nut	4

List of Installation Tools

Phillips Screwdriver for M5 screw

Spanner for M8 nut

QC Check