	Model Number:	ODAG065X9-A4
	Outdoor Wide-band Directional Antenna, X-pol, 698-960/1710-2170/2400-2700MHz, 6.5-9dBi	

Electrical Specifications

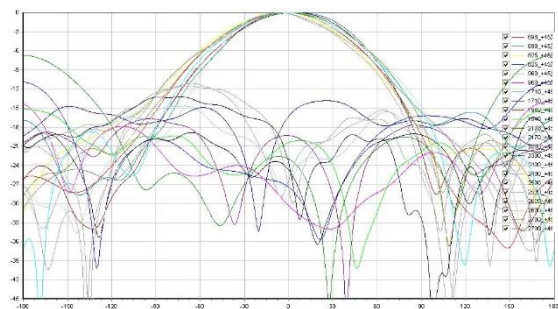
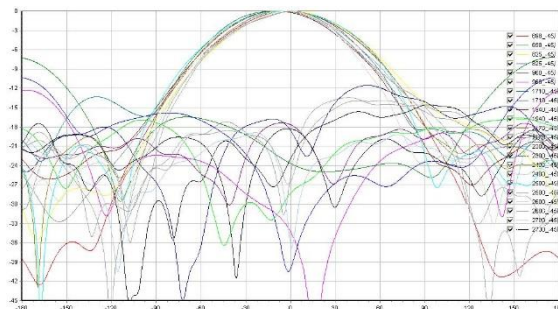
Frequency Range	MHz	698-864	870-960	1710-1880	1920-2170	2400-2500	2490-2700
Gain	dBi	6.5	7.0	8.5	9.0	8.0	7.5
Polarization		+/-45					
Beam-width	Horizontal	78	73	65		60	
	Vertical	70		55/65		75/55	
VSWR		≤ 2.0:1					
Isolation	dB	25 (typ.)					
PIM3	dBc	≤ -150@2x43dBm					
Power Handling	W	100		50			
Impedance	Ω	50					

Mechanical Specifications

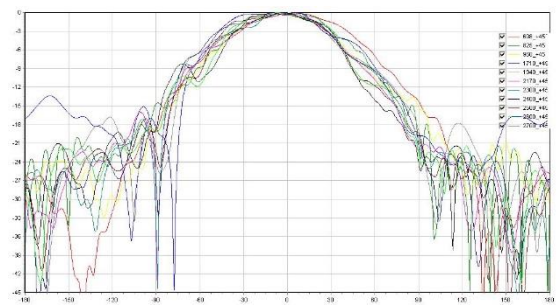
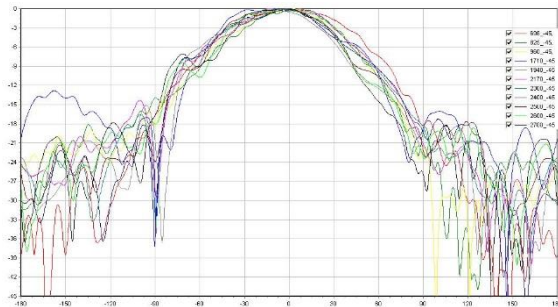
Dimensions, HxWxD	mm (in)	310x200x75 (12.2x7.9x3.0)
Weight without Bracket	kg (lb)	1.0 (2.2)
Radome Material and Color		ABS, white
Reflector Material		Aluminum
Radiating Element Material		Brass and PCB
Connector Type		2 xN-F
Environmental Class		Outdoor and Indoor
Mounting		Wall mount with bracket
Shipping Dimensions, HxWxD	mm (in)	440x215x95 (17.3x8.5x3.7)
Operational Temperature	°C	-55 to +70
Operational Humidity	%	≤ 95
Shipping Weight	kg (lb)	1.75 (3.9)

Radiation Patterns

Co/X-pole
Horizontal
pattern



Vertical
pattern



+ 45deg Port

-45deg Port

Features and Product Description

- Broadband, coverage for 698-960/1710-2700MHz 2x2 MIMO application.
- Typically used in outdoor micro-cell or in-building distribution of 2G/3G/LTE and WLAN(Wi-Fi) services.
- Aesthetically pleasing and easy for in-building or outdoor installations.
- 2-axial mounting bracket is supplied.

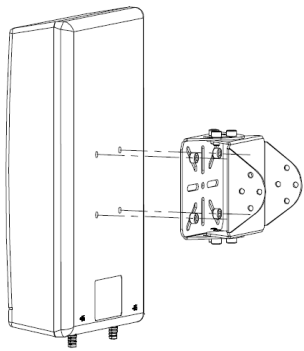


Note for Installation and Preparation

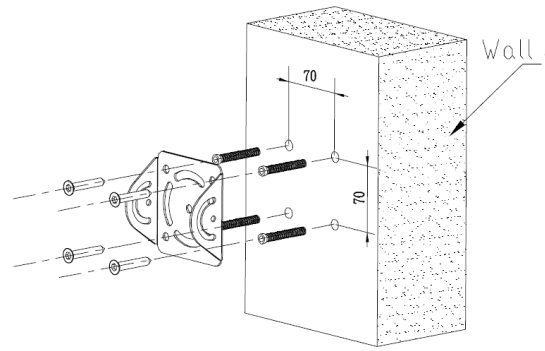
Thanks for choosing our product! Before exciting installation, please read this guide carefully.

- Make sure qualified personnel are hired for installing this product such as working at height with safety awareness, tools operating skills, and etc.
- Please check the items against the below packing list and make sure the product is in good condition without any damage and none is missing.
- Check the necessary installation tools below are prepared on site before the installation.
- Find proper position and the mounting area to mount this antenna based on the coverage design and planning documents.

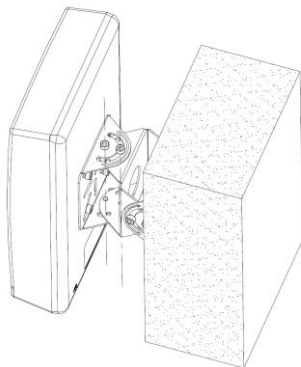
Wall Mounting Instruction



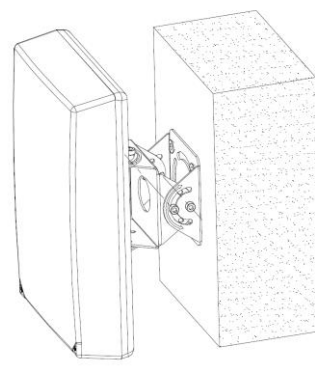
STEP1: Mount one part of bracket on the back of antenna as shown and fix the 4 screws firmly.



STEP2: Mount another part of bracket on the wall as shown.



STEP3: Connect the both parts of brackets. Adjust the antenna azimuth direction and fix the 4 screws firmly



STEP4: Adjust the antenna elevation angle and fix the 4 screws firmly.

STEP5: Joint the connectors with system and implement water-proof measure for connections.

Packing List

List of Installation Tools

Antenna with 4*M4*8 Screws	1	Percussion Drill and Φ 10mm bit
Bracket Kits	1	4mm Hexagon Wrench (Supplied)
St 6.5*40 Tapping Screw	4	Philips Screwdriver (Supplied)
10*50mm Plastic Plug	4	
Hexagon/Philips Screwdriver	1	
QC Check		