

**Electrical Specifications**

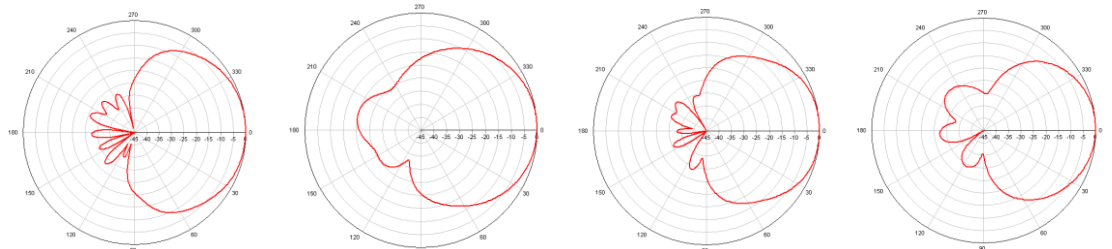
Port		Port1					
Frequency Range	MHz	698-806	806-864	870-960	1710-2170	2200-2400	2490-2700
Gain	dBi	6.8	7.0	7.3	8.5	8.0	8.5
Polarization		Vertical					
Beam-width	Horizontal	70		65			
	Vertical	70	65			55	
Front to Back Ratio	dB	20 (typ.)					
VSWR		≤ 2.0:1			≤ 1.6:1		
PIM3	dBc	≤ -150@2x43dBm					
Power Handling	W	50					
Impedance	Ω	50					

**Mechanical Specifications**

Dimensions, HxWxD	mm (in)	195x240x79 (7.7x9.5x3.1)		
Weight	kg (lb)	0.7 (1.5)		
Radome Material and Color		ABS, white		
Reflector Material		Aluminum		
Radiating Element Material		PCB and Brass		
Connector Type		ODAG065V9-A1	ODAG065V9-A2	ODAG065V9-A3
		1 x N-F	1 x DIN-F	1 x 4.3-10-F
Connector Position		Back		
Environmental Class		Outdoor		
Operating Temperature	°C	-40 to +70		
Relative Humidity	%	≤ 95		
Mounting		Pole (Dia 40-70mm) mount with bracket		
Shipping Dimensions, HxWxD	mm (in)	255x220x125 (10.0x8.7x4.9)		
Shipping Weight	kg (lb)	1.0(2.2)		

**Radiation Patterns**

**Horizontal pattern**



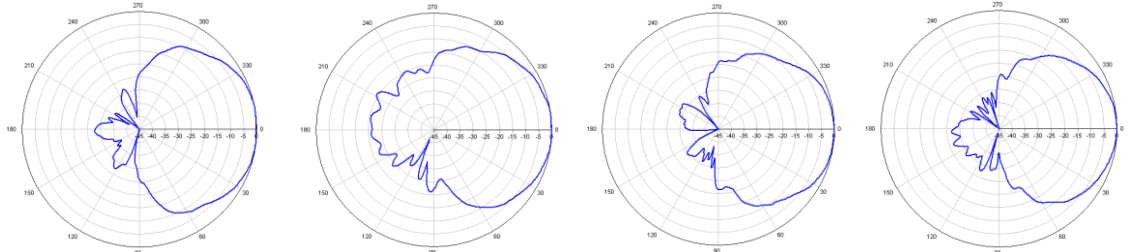
@700MHz

@900MHz

@1800MHz

@2600MHz

**Vertical pattern**



**Features and Product Description**

- Broadband, coverage for 698-960 / 1710-2700MHz application.
- Particularly designed for outdoor and venue coverage of 2G/3G/LTE services for high capacity demand area.
- Optional mounting kits included for antenna mechanical azimuth and elevation adjustments.

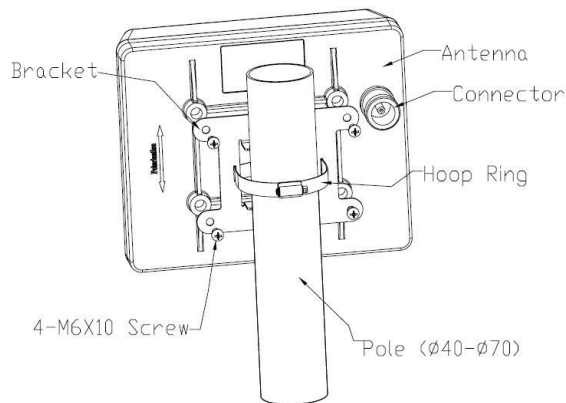


### Note for Installation and Preparation

Thanks for choosing our product! Before exciting installation, please read this guide carefully.

- Make sure qualified personnel are hired for installing this product such as working at height with safety awareness, tools operating skills, and etc.
- Please check the items against the below packing list and make sure the product is in good condition without any damage and none is missing.
- Check the necessary installation tools below are prepared on site before the installation.
- Find proper position and the mounting pole (**diameter 40-70mm**) to mount this antenna based on the coverage design and planning documents.

### Pole Mounting Instruction



#### STEPS

- Release the 4 M6 screws and take the bracket apart.
- Put **hold hoop** t around the pole and though 2 slot holes on the back of bracket as shown.
- Drive the screws on the hold hoops till the bracket almost fixed on the pole.
- Fix the antenna body on the bracket.
- Adjust the antenna azimuth and fix the screw firmly.
- Joint the connectors with system and implement water-proof measure for connection.

#### Packing List

Antenna with Bracket fixed	1
Hold Hoop	1

#### List of Installation Tools

Slot-type or Philips Screwdrivers

QC Check