



SMZ 系列连接器是按照BT标准设计 (BS9210 F0022)，界面类似SMB系列。阻抗为75欧姆，背面跳线的三件套组件结构，节省成本，维护方便，在高密度时依然保持了标识的清晰美观。采用推入式锁定机构，独特的弹夹外套设计，接插及分离快速，同时独创的特殊结构保证了可靠性。插头采用卡式面板安装，特有的弹性机构弥补了一般卡式面板安装的缺点，提高了效率，牢固程度可以与螺母安装媲美。U-LINK口有12.7、9两种规格供选择，密度高，节约空间。电性能优秀，高频应用可达5GHz。选用优质铅黄铜、铍青铜制造，符合长寿命设计要求，完全避免磁性物质干扰。同时可以提供全部的跳线和测试线、安装附件，是电信、CATV、移动通信等数字通信系统的理想选择。

The SMZ Series connector are extensively used in 75 Ohm communication systems and have become the recognized standard in telecommunications in many parts of country.

Designed around the requirements of BS 9210 F0022 and draft specifications, CECC 122300, a wide range of connectors featuring some of the latest innovations are now available. The range also offers the popular Push-Pull self-latching connector together with recently developed PCB connectors that are a snap fit to the board, overcoming the need for jiggling and possible re-work.. Interface dimensions conformable to the Standards: BS9210 F0022

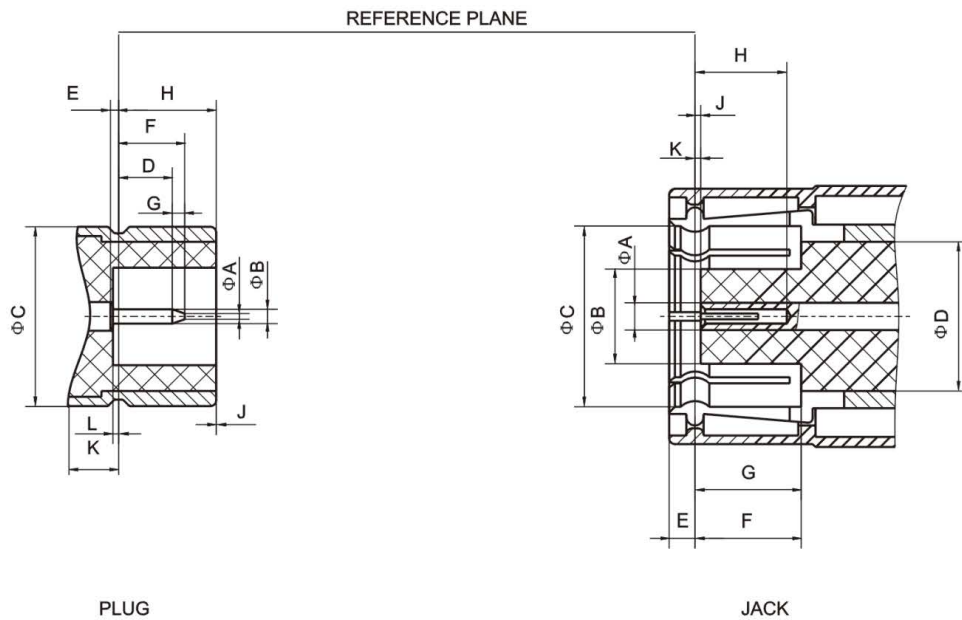


主要技术特性		KEY PERFORMANCE		
温度范围 Temperature range	-40~+100℃	绝缘电阻 Insulation resistance	> 5000MΩ	
特性阻抗 Characteristic impedance	75Ω	介质耐压 Dielectric Withstanding voltage	1500V	
频率范围 Frequency range	0~ 3GHz	接触电阻 Contact resistance	中心导体 Center conductor	≤4mΩ
			外导体 Outer conductor	≤2.5mΩ
电压驻波比 VSWR	≤1.30	寿命 Durability	500次	

材料与涂覆	MATERIAL AND PLATING
壳体 Body	黄铜镀镍/银/硬金 Brass, gold/nickel plated
插针 Male center contacts	黄铜镀硬金 Brass, gold plated
插孔 Female center contacts	铍青铜镀硬金或锡青铜镀金 Beryllium copper or phosphor bronze, gold plated
绝缘体 Insulators	聚四氟乙烯 PTFE
密封件 Gaskets	硅橡胶 Silicone rubber
压接套 Crimp ferrules	铜合金镀镍 Copper alloy, nickel plated



界面尺寸(mm) Interface Dimensions in mm



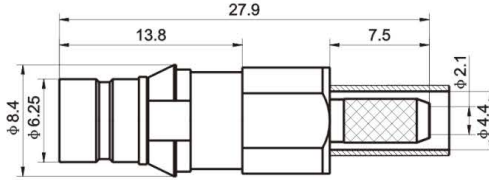
代号 Letter	插头 / Plug(male)		插座 / Jack(female)	
	最小 Minimum	最大 Maximum	最小 Minimum	最大 Maximum
A	—	0.25	—	0.95
B	0.48	0.53	—	3.33
C	—	7.94	6.52	—
D	1.32	—	5.60	5.60
E	—	0.18	—	2.36
F	—	2.97	3.58	—
G	0.25	—	3.58	—
H	3.33	3.58	2.97	—
J	0.00	—	0.18	—
K	2.01	—	0.18	0.94
L	—	0.18	—	—



1. 软电缆连接器 Flexible Cable connectors

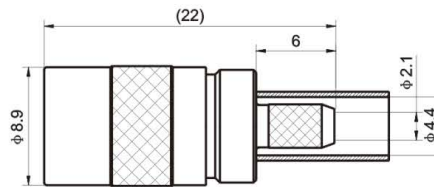
直式穿墙电缆插座 Straight Bulkhead Cable Plugs

产品编码 Product No.	产品名称 Product type	适用电缆 Apply cable
771A-2001	SMZ-75J3.5DY	BT3002



直式电缆插座 Straight Cable Plugs

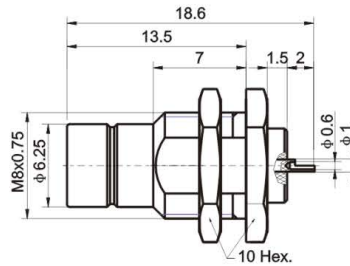
产品编码 Product No.	产品名称 Product type	适用电缆 Apply cable
772B-7001	SMZ-75K3.5DY	BT3002



2. 穿墙安装连接器 Bulkhead Mount connectors

直式穿墙安装插座 Straight Bulkhead Jacks

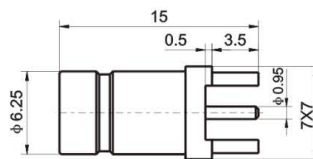
产品编码 Product No.	产品名称 Product type	安装尺寸 Mounting Hole
771A-2301	SMZ-75JY	H113



3. 印制板连接器 PCB connectors

直式印制板插座 Straight PCB Plugs

产品编码 Product No.	产品名称 Product type	安装尺寸 Mounting Hole
771A-4301	SMZ-75JHD	H64



4. 转接器 Adaptors

直式转接器 Straight SMZ-75JYJ

产品编码 Product No.	产品名称 Product type	安装尺寸 Mounting Hole
770A-2011	SMZ-75JYJ	H113

