



FME系列是螺纹式同轴连接,具有体积小、易插拔的特点。主要用于移动车载中,适用频率范围达3GHz。

FME系列直式连接器用于约2.6mm到5.5mm直径的电缆,同时FME系列直式和弯式连接器可以转接到其它系列的同轴连接器。

Series FME are thread coupling coaxial connectors, which have the excellent performances of small size, easy connect/disconnect, are especially suite for mobile application in vehicles, and the frequency range from 2 s 0 to 3GHz.

Straight connectors are available for cable diameters from approximately 2.6mm to 5.5mm and also FME straight and right angle connectors adapters to other coaxial connector series.

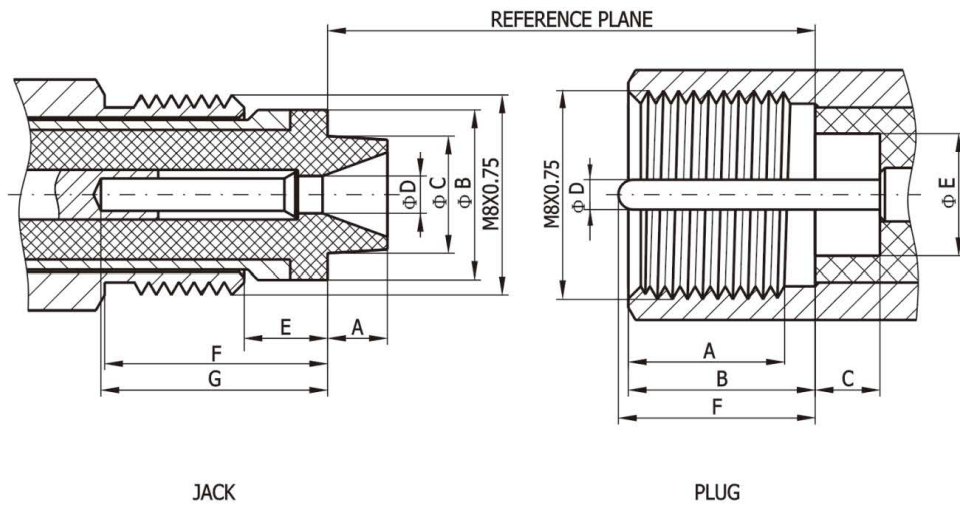


主要技术特性		KEY PERFORMANCE	
温度范围 Temperature range	-65~+155℃	绝缘电阻 Insulation resistance	> 5000MΩ
特性阻抗 Characteristic impedancd	50Ω	介质耐压 Dielectric Withstanding voltage	1000V(rms)
频率范围 Frequency range	0~3GHz	接触电阻 Contact resistance	中心导体 Center conductor
工作电压 Working voltage	500V(rms)		外导体 Outer conductor
电压驻波比 VSWR	≤1.22	寿命 Durability	500次

材料与涂覆	MATERIAL AND PLATING
壳体 Body	黄铜镀镍 Brass,nickel plated
插针 Male center contacts	黄铜镀硬金 Brass,gold plated
插孔 Female center contacts	铍青铜镀硬金 Beryllium copper,gold plated
绝缘体 Insulators	聚四氟乙烯 PTFE
压接套 Crimp ferrules	铜合金镀镍 Copper alloy,nickel plated



界面尺寸 (mm) Interface Dimensions in mm

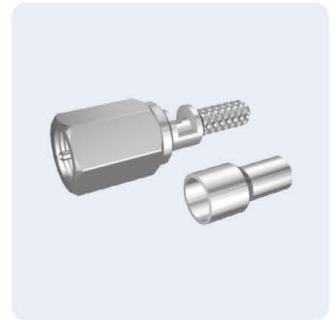
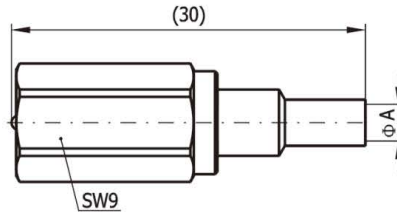


代号 Letter	插座 / Jack (female)		插头 / Plug (male)	
	最小 Minimum	最大 Maximum	最小 Minimum	最大 Maximum
A	—	2.50	5.60	—
B	—	7.00	7.50	7.70
C	—	4.80	2.50	—
D	1.30	—	1.17	1.23
E	2.20	—	4.80	—
F	8.00	—	—	8.00
G	8.00	—	—	—



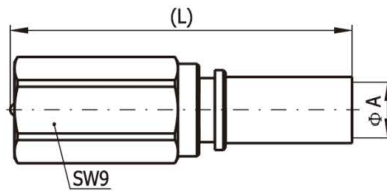
1. 软电缆连接器 Flexible Cable connectors
直式软电缆插头 Straight Cable Plugs

产品编码 Product No.	产品名称 Product type	适用电缆 Apply cable	备注 Notes
241B-7501	FME-J2C	2/50S	A=2.5
241B-7502	FME-J3C	2.5/3/50S	A=3.1
241B-7503	FME-J2.5DC	2.5/50D	A=3.4



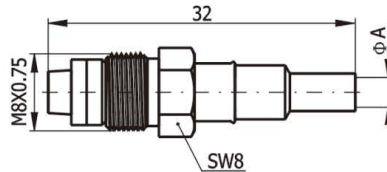
直式软电缆插头 Straight Cable Plugs

产品编码 Product No.	产品名称 Product type	适用电缆 Apply cable	备注 Notes
241B-7504	FME-J5Y	5/50S	A=5.2 L=32.5
241B-7505	FME-J5DY	5/50D	A=5.7 L=34.0



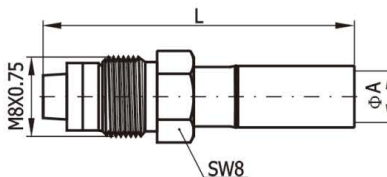
直式软电缆插座 Straight Cable Jacks

产品编码 Product No.	产品名称 Product type	适用电缆 Apply cable	备注 Notes
242B-7501	FME-K2C	2/50S	A=2.5
242B-7502	FME-K3C	2.5/3/50S	A=3.1
242B-7503	FME-K2.5DC	2.5/50D	A=3.4



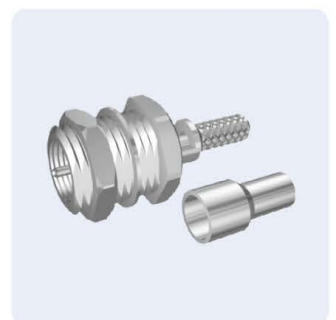
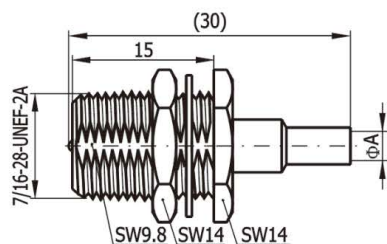
直式软电缆插座 Straight Cable Jacks

产品编码 Product No.	产品名称 Product type	适用电缆 Apply cable	备注 Notes
242B-7504	FME-K5Y	5/50S	A=5.2 L=31.5
242B-7505	FME-K5DY	5/50D	A=5.7 L=33.0



直式软电缆插头 Straight Cable Plugs

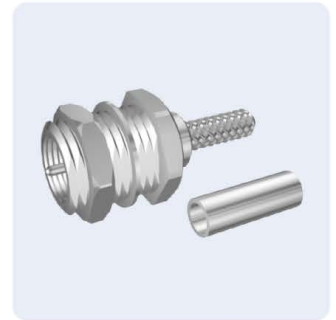
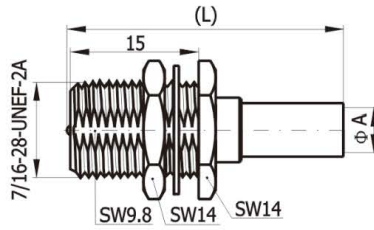
产品编码 Product No.	产品名称 Product type	适用电缆 Apply cable	安装尺寸 Mounting Hole	备注 Notes
241B-2501	FME-JY2C	2/50S	H22	A=2.5
241B-2502	FME-JY3C	2.5/3/50S	H22	A=3.1
241B-2503	FME-JY2.5DC	2.5/50D	H22	A=3.4





直式穿墙安装软电缆插头 Straight Bulkhead Cable Plugs

产品编码 Product No.	产品名称 Product type	适用电缆 Apply cable	安装尺寸 Mounting Hole	备注 Notes
241B-2504	FME-JY5Y	5/50S	H22	A=5.2 L=32.5
241B-2505	FME-JY5DY	5/50D	H22	A=5.7 L=34.0



2. 转接器 Adapters

直式转接器 Straight FNE/FME-JJ Adapters

产品编码 Product No.	产品名称 Product type	备注 Notes
240B-7911	FME-JJ	

