



SSMB系列是推入式微小型同轴连接器，是SMB的小型版本。具有重量轻，体积小、易插拔、抗振动和可靠性高等特点。适用于微电子设备和仪器中连接射频电路和电缆。

界面尺寸和技术特性符合MIL-C-39012，IEC169-19和CECC22170规范要求。

Series SSMB are snap-on coupling micro-miniature coaxial connectors, a smaller version of series SMB, which have the excellent performances of light weight, small size, easy to connect/disconnect, vibration-proof and high reliability are suitable for connecting R.F coaxial circuits and cables in microelectronic equipment and instruments. The interface dimensions and technical characteristics are in accord with the specifications of MIL-C-39012, IEC 169-19 and CECC 22170.

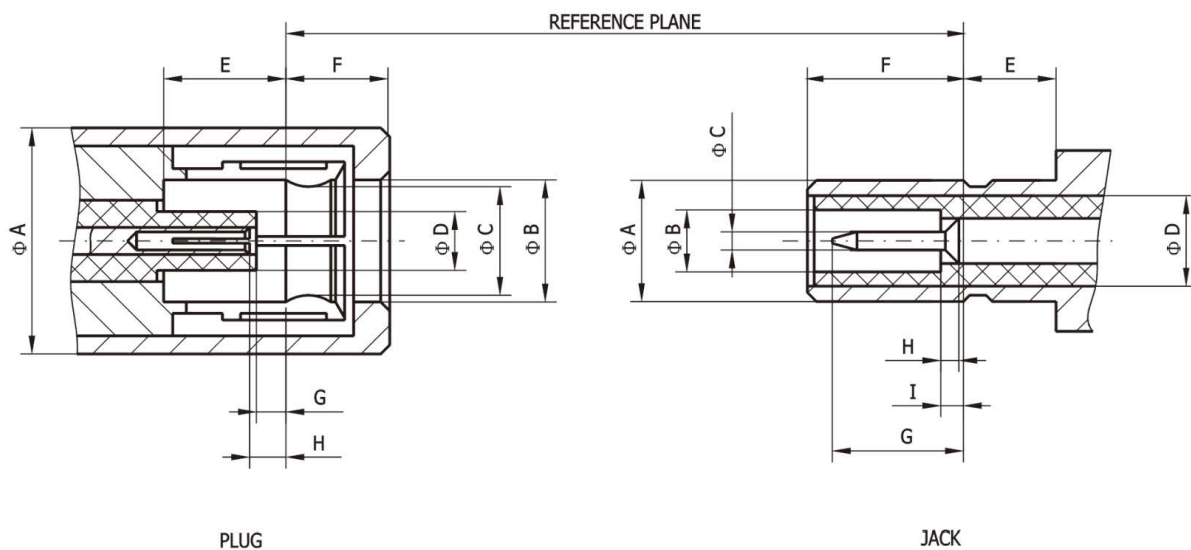


主要技术特性			KEY PERFORMANCE		
温度范围 Temperature range		-55~+155℃	绝缘电阻 Insulation resistance		≥1000MΩ
特性阻抗 Characteristic impedance		50Ω	介质耐压 Dielectric Withstanding voltage		500V(rms)
电压驻波比 VSWR	直式 Straight	≤1.22 (0~1GHz)	接触电阻 Contact resistance	中心导体 Center conductor	≤5mΩ
		≤1.35 (1~3GHz)		外导体 Outer conductor	≤2.5mΩ
	弯式 Right angle	≤1.50 (0~1GHz)	频率范围 Frequency range		0~3GHz
		≤1.63 (1~3GHz)	寿命 Durability		500 Cycles

材料与涂覆	MATERIAL AND PLATING
壳体 Body	黄铜镀硬金 Brass, gold plated
插针 Male center contacts	锡青铜镀硬金 Brass, gold plated
插孔 Female center contacts	铍青铜镀硬金 Beryllium copper, gold plated
绝缘体 Insulators	聚四氟乙烯 PTFE
压接套 Crimp ferrules	铜合金镀镍或镀金 Copper alloy, nickel or gold plated



界面尺寸 (mm) Interface Dimensions in mm

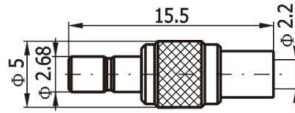


代号 Letter	插头 / Plug(female)		插座 / Jack(male)	
	最小 Minimum	最大 Maximum	最小 Minimum	最大 Maximum
A	4.50	—	—	2.69
B	2.74	—	1.37	—
C	—	—	0.35	0.38
D	—	1.35	2.10	2.14
E	2.74	—	2.30	—
F	—	2.26	—	2.77
G	0.53	—	—	2.44
H	0.53	0.89	0.00	0.13
I	—	—	—	0.56



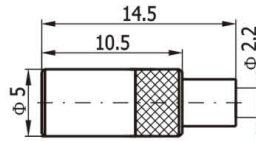
1. 半刚电缆连接器 Semi-rigid Cable connectors  
直式半刚电缆插座 Straight Cable Jacks

产品编码 Product No.	产品名称 Product type	适用电缆 Apply cable	备注 Notes
141A-7661	SSMB-JB2	.086	



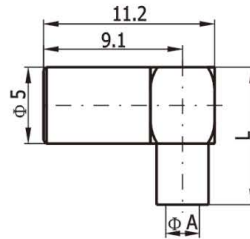
直式半刚电缆插头 Straight Cable Plugs

产品编码 Product No.	产品名称 Product type	适用电缆 Apply cable	备注 Notes
142A-7661	SSMB-KB2	.086	



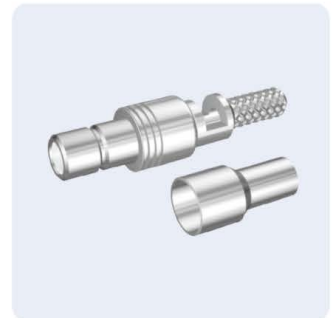
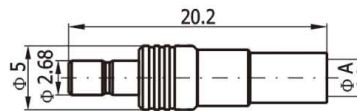
弯式半刚电缆插头 Right Angle Cable Plugs

产品编码 Product No.	产品名称 Product type	适用电缆 Apply cable	备注 Notes
144A-7661	SSMB-KWB1	.047	A=1.3 L=8.0
144A-7662	SSMB-KWB2	.086	A=2.2 L=9.0



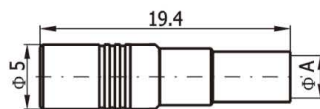
2. 软电缆连接器 Flexible Cable Connectors  
直式软电缆插座 Straight Cable Jacks

产品编码 Product No.	产品名称 Product type	适用电缆 Apply cable	备注 Notes
141A-7501	SSMB-J2C	2/50S	A=2.5
141A-7502	SSMB-J3C	2.5/3/50S	A=3.1
141A-7503	SSMB-J2.5DC	2.5/50D	A=3.4



直式软电缆插头 Straight Cable Plugs

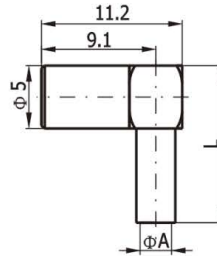
产品编码 Product No.	产品名称 Product type	适用电缆 Apply cable	备注 Notes
142A-7501	SSMB-K2C	2/50S	A=2.5
142A-7502	SSMB-K3C	2.5/3/50S	A=3.1
142A-7503	SSMB-K2.5DC	2.5/50D	A=3.4





弯式软电缆插头 Right Angle Cable Plugs

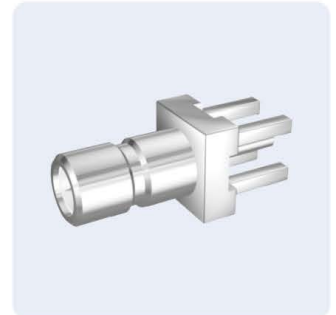
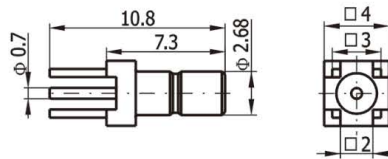
产品编码 Product No.	产品名称 Product type	适用电缆 Apply cable	备注 Notes
144A-7501	SSMB-KW2	2/50S	A=2.5 L=12.5
144A-7502	SSMB-KW3	2.5/3/50S	A=3.1 L=13.0
144A-7503	SSMB-KW2.5D	2.5/50D	A=3.4 L=14.0



2. 印制板连接器 PCB Connectors

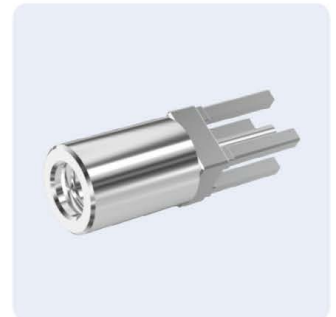
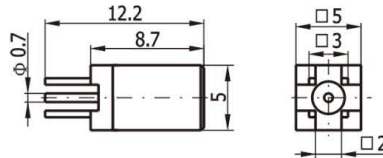
直式印制板插座 Straight PCB Jacks

产品编码 Product No.	产品名称 Product type	安装尺寸 Mounting Hole	备注 Notes
141A-4801	SSMB-JHD	H60	



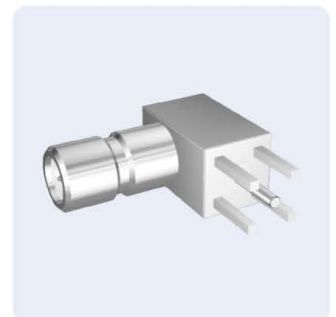
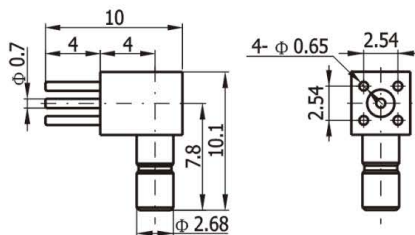
直式印制板插头 Straight PCB Plugs

产品编码 Product No.	产品名称 Product type	安装尺寸 Mounting Hole	备注 Notes
142A-4801	SSMB-KHD	H60	



弯式印制板插座 Right Angle PCB Jacks

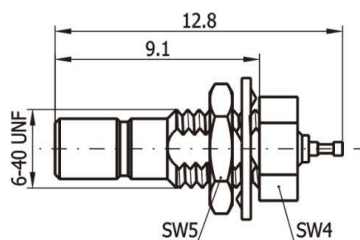
产品编码 Product No.	产品名称 Product type	安装尺寸 Mounting Hole	备注 Notes
143A-4801	SSMB-JWHD	H60	



3. 穿墙安装连接器 Bulkhead Mount Connectors

直式穿墙安装插座 Straight Bulkhead Jacks

产品编码 Product No.	产品名称 Product type	安装尺寸 Mounting Hole	备注 Notes
141A-2801	SSMB-JYD	H28	





直式穿墙安装插座 Straight Bulkhead Jacks

产品编码 Product No.	产品名称 Product type	安装尺寸 Mounting Hole	备注 Notes
141A-2802	SSMB-JYD1	H28	

